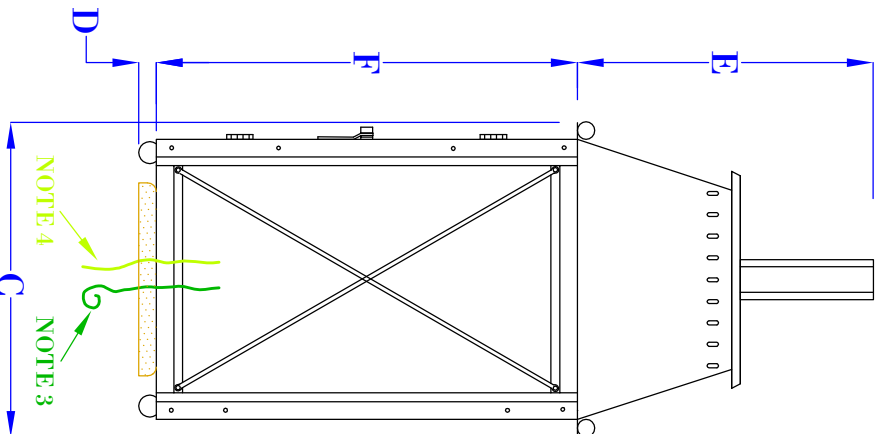
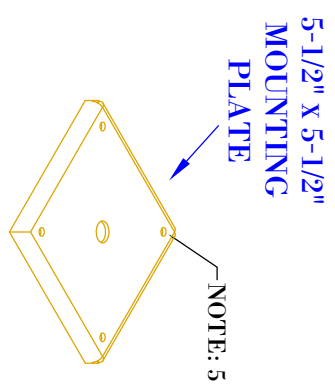


FRONT VIEW
(NTS)



SIDE VIEW
(NTS)



ISOMETRIC VIEW
(NTS - BRACKET ONLY)

- NOTES:
1. MOUNTING HARDWARE SUPPLIED BY OTHERS
 2. FIXTURES ARE HANDCRAFTED. DIMENSIONS MAY VARY PLUS OR MINUS $\frac{1}{4}$ "
 3. ELECTRIC LIGHTS SUPPLIED WITH 18/2 WIRE WITH GROUND
 4. GAS LIGHTS SUPPLIED WITH $\frac{1}{4}$ " COMPRESSION FITTING. *CAVITY IN COLUMN REQUIRED TO HOUSE CONNECTION FITTINGS
 5. FIXTURE IS SECURED TO COLUMN BY INSTALLING MOUNTING HARDWARE FROM INSIDE OF LIGHT, THROUGH BASE OF FIXTURE AND CORRESPONDING HOLES IN BRACKET.

BEVOLO GAS & ELECTRIC LIGHTS

LIGHT: COACH HOUSE

BRACKET: LOW PROFILE COLUMN MOUNT

SIZE:	14"	16"	18"	22"
A:	18 $\frac{5}{8}$ "	20 $\frac{5}{8}$ "	21 $\frac{1}{2}$ "	26 $\frac{5}{8}$ "
B:	10 $\frac{1}{8}$ "	10 $\frac{1}{8}$ "	8 $\frac{3}{4}$ "	10 $\frac{1}{8}$ "
C:	9 $\frac{1}{8}$ "	9 $\frac{1}{8}$ "	7 $\frac{5}{8}$ "	9 $\frac{1}{8}$ "
D:	$\frac{1}{2}$ "	$\frac{1}{2}$ "	$\frac{1}{2}$ "	$\frac{1}{2}$ "
E:	8"	8"	6 $\frac{1}{4}$ "	8"
F:	10 $\frac{1}{8}$ "	12 $\frac{1}{8}$ "	14 $\frac{3}{4}$ "	18 $\frac{1}{8}$ "

DATE:	DRW BY:	JJG
5-16-23	APP. BY:	JJG
REVISION:		3

COPYRIGHT 2023. BEVOLO GAS & ELECTRIC LIGHTS. DRAWINGS & DESIGNS ARE OWNED BY BEVOLO AND REMAIN THE SOLE AND EXCLUSIVE PROPERTY OF BEVOLO GAS & ELECTRIC LIGHTS. DRAWINGS AND DESIGNS SHALL NOT BE DUPLICATED IN WHOLE OR PART.