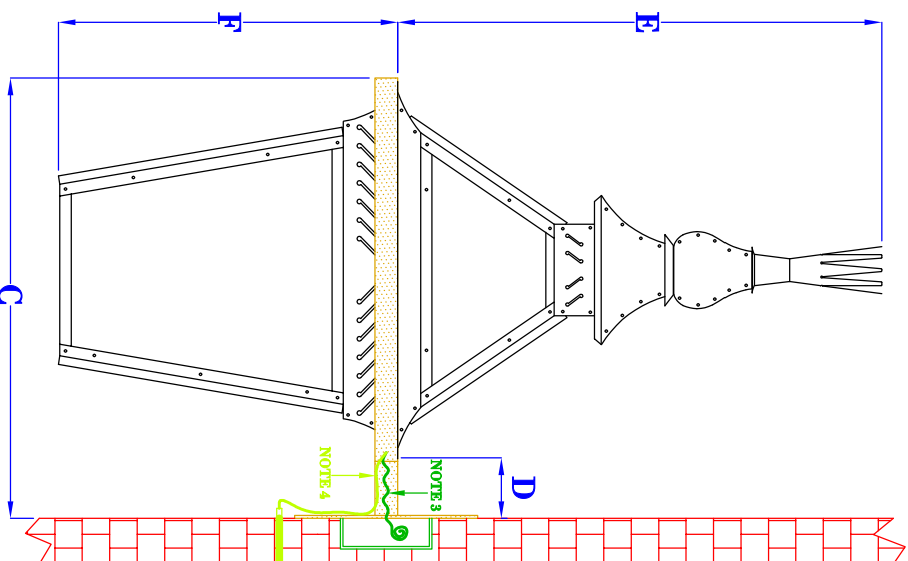
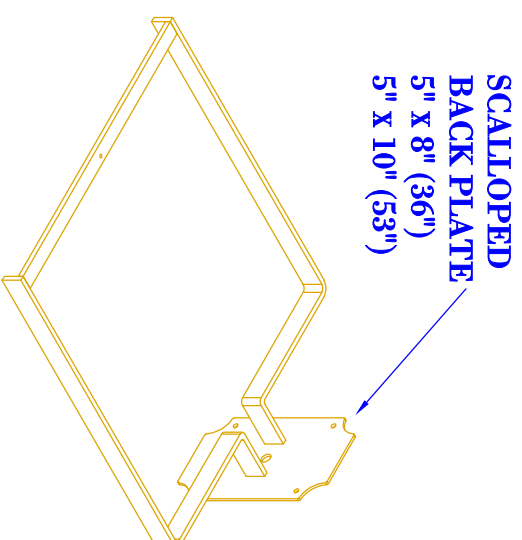


FRONT VIEW
(NTS)



SIDE VIEW
(NTS)



ISOMETRIC VIEW
(NTS-BRACKET ONLY)

- NOTES:**
1. MOUNTING HARDWARE SUPPLIED BY OTHERS
 2. FIXTURES ARE HANDCRAFTED. DIMENSIONS MAY VARY PLUS OR MINUS $\frac{1}{4}$ "
 3. ELECTRIC LIGHTS SUPPLIED WITH 18/2 WIRE WITH GROUND
 4. GAS LIGHTS SUPPLIED WITH $\frac{3}{16}$ " COPPER GAS LINE AND $\frac{3}{16}$ " x $\frac{1}{4}$ " GAS LINE ADAPTOR

BEVOLO GAS & ELECTRIC LIGHTS

LIGHT:

CHATEAU SONESTA

BRACKET:

ORIGINAL BRACKET MOUNT

SIZE:	36"	53"
A:	36"	53"
B:	16 $\frac{5}{8}$ "	25 $\frac{1}{8}$ "
C:	19 $\frac{1}{4}$ "	28"
D:	2 $\frac{1}{2}$ "	2 $\frac{1}{2}$ "
E:	21 $\frac{1}{8}$ "	30 $\frac{1}{2}$ "
F:	14 $\frac{7}{8}$ "	22 $\frac{1}{2}$ "

DATE: 3-10-23

REVISION: 1

DRW BY: JJG

JJG

APP. BY: JJG

JJG

COPYRIGHT 2023, BEVOLO GAS & ELECTRIC LIGHTS. DRAWINGS & DESIGNS ARE OWNED BY BEVOLO AND REMAIN THE SOLE AND EXCLUSIVE PROPERTY OF BEVOLO GAS & ELECTRIC LIGHTS. DRAWINGS AND DESIGNS SHALL NOT BE DUPLICATED IN WHOLE OR PART.