

NOTES:

1. MOUNTING HARDWARE SUPPLIED BY OTHERS
2. FIXTURES ARE HANDCRAFTED. DIMENSIONS MAY VARY PLUS OR MINUS  $\frac{1}{4}$ "
3. ELECTRIC LIGHTS SUPPLIED WITH 18/2 WIRE WITH GROUND
4. PROPORTIONS FOR EACH SIZE CHANGE. 16" IS REPRESENTED ABOVE, THUMBNAILS TO THE RIGHT SHOW ALL FOR COMPARISON

# BEVOLOGAS & ELECTRIC LIGHTS

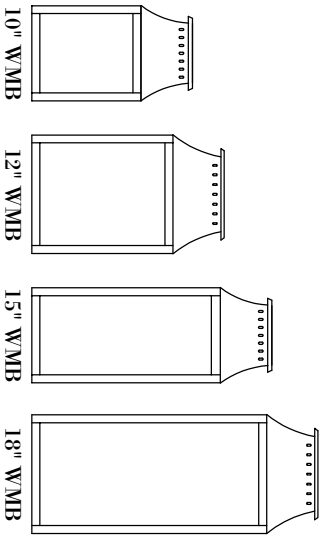
**LIGHT:** WILLIAMSBURG 10", 12", 15", 18" (ADA COMPLIANT)

**BRACKET:** FLUSH MOUNT

**FRONT VIEW**  
(18" VERSION SHOWN)

**SIDE VIEW**  
(18" VERSION SHOWN)

SIZE:	10"	12"	15"	18"
A:	10 $\frac{1}{8}$ "	12 $\frac{1}{8}$ "	15 $\frac{1}{8}$ "	18 $\frac{1}{8}$ "
B:	6 $\frac{1}{4}$ "	7 $\frac{3}{4}$ "	6 $\frac{1}{4}$ "	7 $\frac{3}{4}$ "
C:	4"	4"	4"	4"
E:	3 $\frac{1}{4}$ "	3 $\frac{1}{4}$ "	3 $\frac{1}{4}$ "	3 $\frac{1}{4}$ "
F:	6 $\frac{7}{8}$ "	8 $\frac{7}{8}$ "	11 $\frac{7}{8}$ "	14 $\frac{7}{8}$ "



**NOTE 4**

2-3-22

REVISION:

2

COPYRIGHT 2022, BEVOLOGAS & ELECTRIC LIGHTS. DRAWINGS & DESIGNS ARE OWNED BY BEVOLO AND REMAIN THE SOLE AND EXCLUSIVE PROPERTY OF BEVOLOGAS & ELECTRIC LIGHTS. DRAWINGS AND DESIGNS SHALL NOT BE DUPLICATED IN WHOLE OR PART.