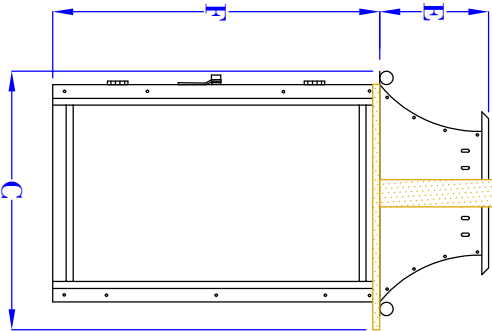
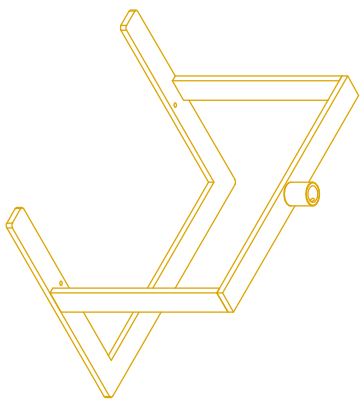


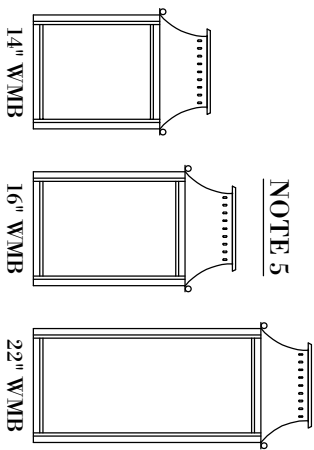
**FRONT VIEW**  
(16" VERSION SHOWN)



**SIDE VIEW**  
(16" VERSION SHOWN)



**ISOMETRIC VIEW**  
(NTS - BRACKET ONLY)



**NOTE 5**

- NOTES:**
1. MOUNTING HARDWARE SUPPLIED BY OTHERS
  2. FIXTURES ARE HANDCRAFTED. DIMENSIONS MAY VARY PLUS OR MINUS  $\frac{1}{4}$ "
  3. ELECTRIC LIGHTS SUPPLIED WITH 18/2 WIRE WITH GROUND
  4. GAS LIGHTS SUPPLIED WITH  $\frac{3}{16}$ " COPPER GAS LINE AND  $\frac{3}{16}$ " x  $\frac{1}{4}$ " GAS LINE ADAPTOR
  5. PROPORTIONS FOR EACH SIZE CHANGE. 16" IS REPRESENTED ABOVE, THUMBNAILS TO THE RIGHT SHOW ALL FOR COMPARISON.

# BEVOLO GAS & ELECTRIC LIGHTS

**LIGHT:** 14", 16", 22" WILLIAMSBURG

**BRACKET:** SQUARE YOKE

SIZE:	14"	16"	22"
A:	17 $\frac{3}{4}$ "	19 $\frac{3}{4}$ "	25 $\frac{3}{4}$ "
B:	11 $\frac{1}{4}$ "	11 $\frac{1}{4}$ "	11 $\frac{1}{4}$ "
C:	9 $\frac{1}{2}$ "	9 $\frac{1}{2}$ "	9 $\frac{1}{2}$ "
D:	VARIES VARIES VARIES		
E:	4"	4"	4"
F:	10 $\frac{1}{8}$ "	12 $\frac{1}{8}$ "	18 $\frac{1}{8}$ "

DRW BY: JJG  
 APP. BY: JJG  
 DATE: 12-13-21  
 REVISION: 4

COPYRIGHT 2021, BEVOLO GAS & ELECTRIC LIGHTS. DRAWINGS & DESIGNS ARE OWNED BY BEVOLO AND REMAIN THE SOLE AND EXCLUSIVE PROPERTY OF BEVOLO GAS & ELECTRIC LIGHTS. DRAWINGS AND DESIGNS SHALL NOT BE DUPLICATED IN WHOLE OR PART.