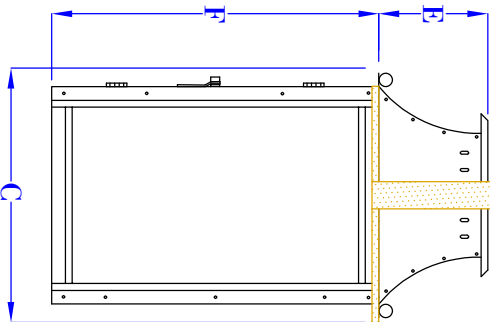
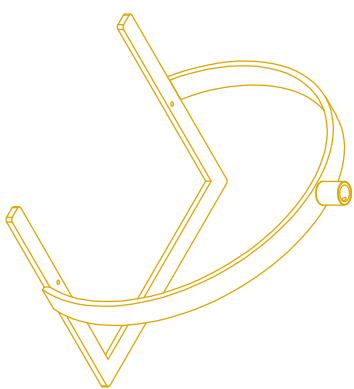


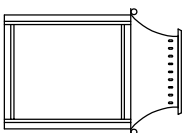
FRONT VIEW  
(16" VERSION SHOWN)



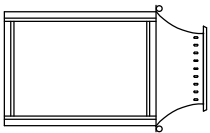
SIDE VIEW  
(16" VERSION SHOWN)



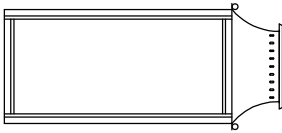
ISOMETRIC VIEW  
(NTS - BRACKET ONLY)



14" WMB



16" WMB



22" WMB

NOTE 5

- NOTES:
1. MOUNTING HARDWARE SUPPLIED BY OTHERS
  2. FIXTURES ARE HANDCRAFTED. DIMENSIONS MAY VARY PLUS OR MINUS  $\frac{1}{4}$ "
  3. ELECTRIC LIGHTS SUPPLIED WITH 18/2 WIRE WITH GROUND
  4. GAS LIGHTS SUPPLIED WITH  $\frac{3}{16}$ " COPPER GAS LINE AND  $\frac{3}{16}$ " x  $\frac{1}{4}$ " GAS LINE ADAPTOR
  5. PROPORTIONS FOR EACH SIZE CHANGE. 16" IS REPRESENTED ABOVE, THUMBNAILS TO THE RIGHT SHOW ALL FOR COMPARISON.

SIZE:	14"	16"	22"
A:	20 $\frac{3}{8}$ "	22 $\frac{3}{8}$ "	28 $\frac{3}{8}$ "
B:	12 $\frac{5}{8}$ "	12 $\frac{5}{8}$ "	12 $\frac{5}{8}$ "
C:	9 $\frac{3}{8}$ "	9 $\frac{3}{8}$ "	9 $\frac{3}{8}$ "
D:	VARIES VARIES VARIES		
E:	4"	4"	4"
F:	10 $\frac{1}{8}$ "	12 $\frac{1}{8}$ "	18 $\frac{1}{8}$ "

# BEVOLO GAS & ELECTRIC LIGHTS

LIGHT: 14", 16", 22" WILLIAMSBURG

BRACKET: ROUND YOKE

DRW BY: JJG

DATE: 12-7-21

APP. BY: JJG

REVISION: 3

COPYRIGHT 2021, BEVOLO GAS & ELECTRIC LIGHTS. DRAWINGS & DESIGNS ARE OWNED BY BEVOLO AND REMAIN THE SOLE AND EXCLUSIVE PROPERTY OF BEVOLO GAS & ELECTRIC LIGHTS. DRAWINGS AND DESIGNS SHALL NOT BE DUPLICATED IN WHOLE OR PART.