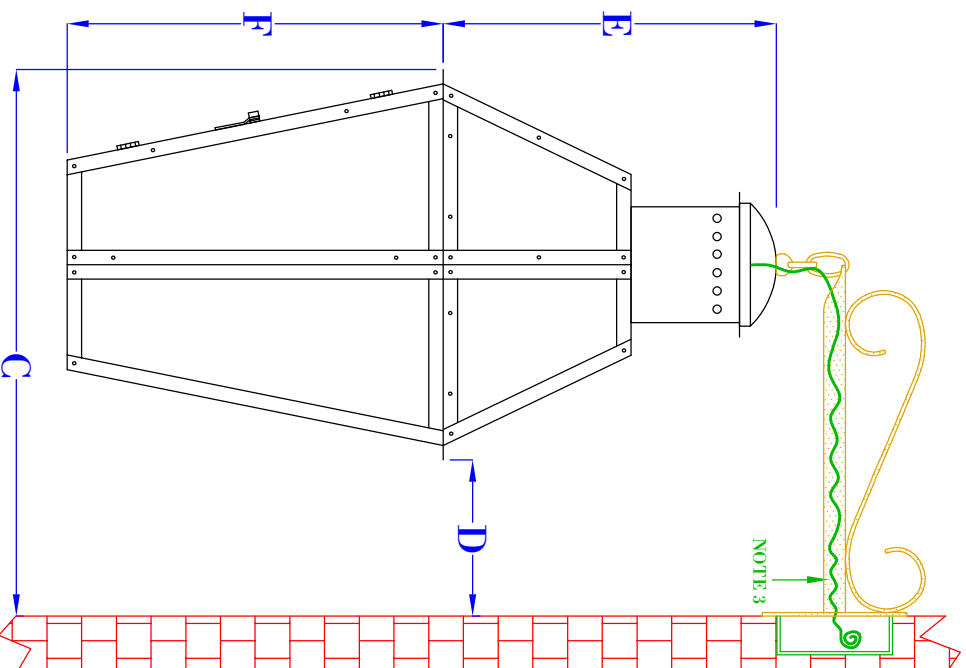
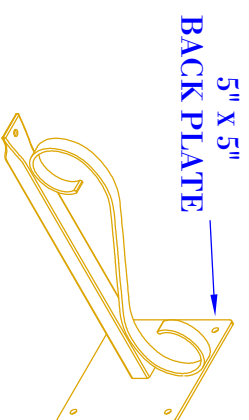


FRONT VIEW
(NTS)



SIDE VIEW
(NTS)



ISOMETRIC VIEW
(NTS-BRACKET ONLY)

- NOTES:**
1. MOUNTING HARDWARE SUPPLIED BY OTHERS
 2. FIXTURES ARE HANDCRAFTED. DIMENSIONS MAY VARY PLUS OR MINUS $\frac{1}{4}$ "
 3. ELECTRIC LIGHTS SUPPLIED WITH 18/2 WIRE WITH GROUND

BEVOLO GAS & ELECTRIC LIGHTS

LIGHT:

SIX SIDED

BRACKET:

DROP BRACKET - ELECTRIC

SIZE:	17"	19"	22"	25"	27"
A:	24 $\frac{1}{8}$ "	25 $\frac{1}{2}$ "	28 $\frac{1}{8}$ "	30 $\frac{1}{8}$ "	31 $\frac{3}{4}$ "
B:	11 $\frac{7}{8}$ "	13 $\frac{5}{8}$ "	14 $\frac{5}{8}$ "	15 $\frac{3}{4}$ "	17 $\frac{7}{8}$ "
C:	17 $\frac{1}{4}$ "	18"	18 $\frac{3}{8}$ "	18 $\frac{7}{8}$ "	19 $\frac{3}{4}$ "
D:	7"	6 $\frac{3}{8}$ "	5 $\frac{7}{8}$ "	5 $\frac{3}{8}$ "	4 $\frac{1}{2}$ "
E:	8 $\frac{1}{2}$ "	8 $\frac{5}{8}$ "	10 $\frac{5}{8}$ "	12"	12 $\frac{1}{2}$ "
F:	10 $\frac{1}{2}$ "	11 $\frac{3}{4}$ "	12 $\frac{3}{8}$ "	13"	14 $\frac{1}{8}$ "

DRW BY: JJG

COPYRIGHT 2021, BEVOLO GAS & ELECTRIC LIGHTS. DRAWINGS & DESIGNS ARE OWNED BY BEVOLO AND REMAIN THE SOLE AND EXCLUSIVE PROPERTY OF BEVOLO GAS & ELECTRIC LIGHTS. DRAWINGS AND DESIGNS SHALL NOT BE DUPLICATED IN WHOLE OR PART.

DATE:

APP. BY: JJG

5-3-21

REVISION:

1

1