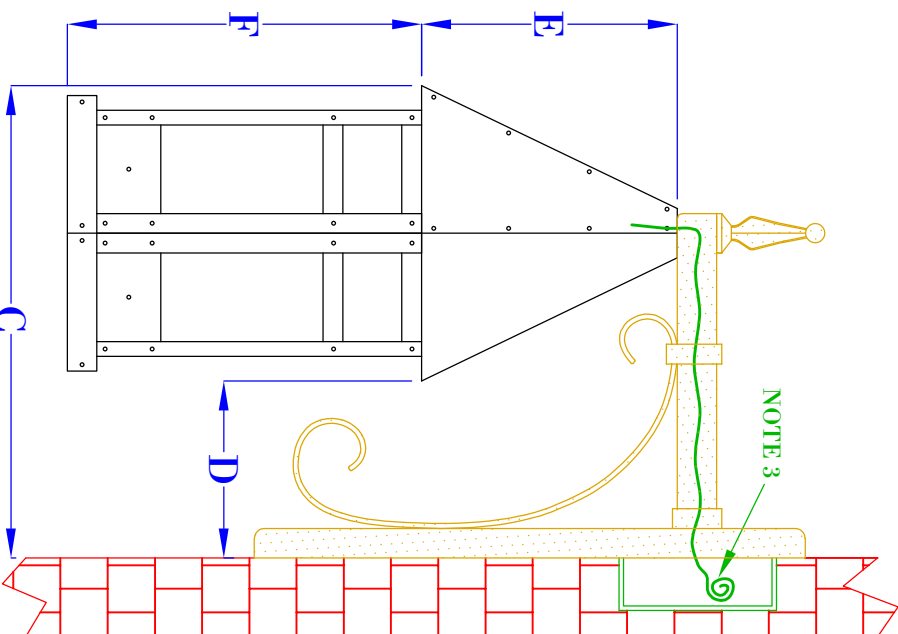
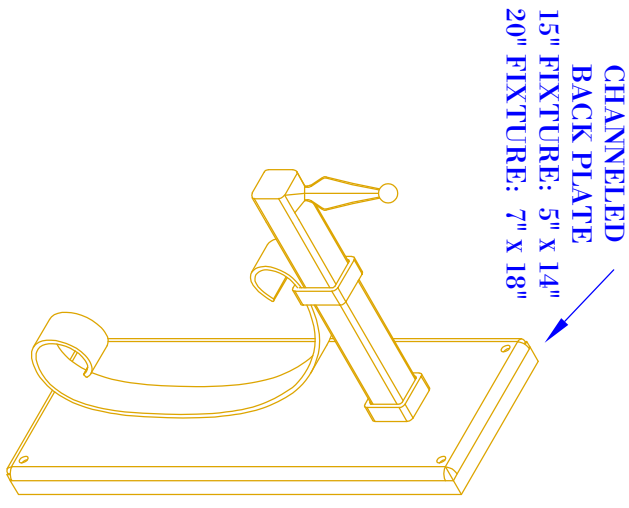


FRONT VIEW
(NTS)



SIDE VIEW
(NTS)



ISOMETRIC VIEW
(NTS-BRACKET ONLY)

- NOTES:
1. MOUNTING HARDWARE SUPPLIED BY OTHERS
 2. FIXTURES ARE HANDCRAFTED. DIMENSIONS MAY VARY PLUS OR MINUS $\frac{1}{4}$ "
 3. ELECTRIC LIGHTS SUPPLIED WITH 18/2 WIRE WITH GROUND
 4. THIS FIXTURE IS AVAILABLE IN ELECTRIC ONLY

BEVOLO GAS & ELECTRIC LIGHTS

LIGHT: ENGLISH TAVERN

BRACKET: STANDARD WALL MOUNT

SIZE:	15"	20"
A:	18 $\frac{7}{8}$ "	24"
B:	8 $\frac{1}{2}$ "	10 $\frac{7}{8}$ "
C:	12 $\frac{1}{8}$ "	15 $\frac{1}{4}$ "
D:	4 $\frac{5}{8}$ "	6"
E:	6 $\frac{1}{2}$ "	8 $\frac{3}{8}$ "
F:	9"	11 $\frac{1}{2}$ "

DATE:	8-11-20	DRW BY:	JJG
APP. BY:	JJG	REVISION:	5

COPYRIGHT 2020, BEVOLO GAS & ELECTRIC LIGHTS. THIS DRAWING AND ANY DESIGN OR DATA CONTAINED THEREIN ARE CONSIDERED PROPERTY OF BEVOLO GAS AND ELECTRIC LIGHTS. NEITHER THE DRAWING NOR ITS CONTENT MAY BE COPIED, REPRODUCED, OR EDITED TO A LIKENESS WITHOUT THE WRITTEN CONSENT OF BEVOLO GAS AND ELECTRIC LIGHTS.