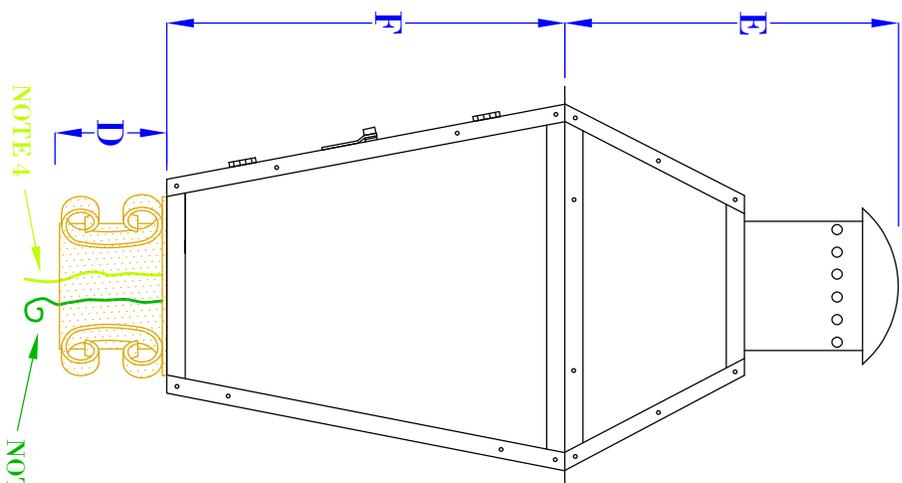


FRONT VIEW
(NTS)



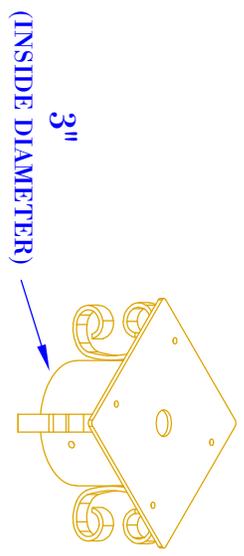
SIDE VIEW
(NTS)

- NOTES:
1. MOUNTING HARDWARE SUPPLIED BY OTHERS
 2. FIXTURES ARE HANDCRAFTED. DIMENSIONS MAY VARY PLUS OR MINUS $\frac{1}{4}$ "
 3. ELECTRIC LIGHTS SUPPLIED WITH 18/2 WIRE WITH GROUND
 4. GAS LIGHTS SUPPLIED WITH $\frac{1}{4}$ " GAS NIPPLE AND $\frac{1}{8}$ " IP X $\frac{1}{4}$ " GAS LINE ADAPTOR

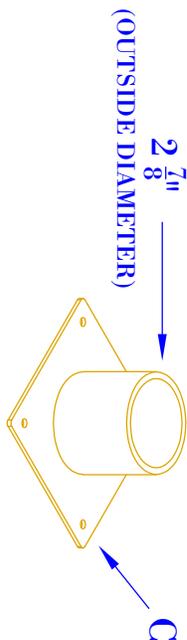
BEVOLO GAS & ELECTRIC LIGHTS

LIGHT: FRENCH QUARTER

BRACKET: POST MOUNT & COLUMN MOUNT



ISOMETRIC VIEW-POST MOUNT
(NTS- BRACKET ONLY)



ISOMETRIC VIEW-COLUMN MOUNT ADAPTOR
(NTS- BRACKET ONLY)

SIZE:	18"	21"	24"	27"	30"	36"
A:	20 $\frac{3}{4}$ "	23 $\frac{1}{2}$ "	28 $\frac{1}{4}$ "	29 $\frac{1}{4}$ "	33 $\frac{5}{8}$ "	40"
B:	10 $\frac{1}{2}$ "	11 $\frac{1}{2}$ "	13 $\frac{1}{4}$ "	14 $\frac{1}{2}$ "	17 $\frac{1}{2}$ "	21 $\frac{1}{2}$ "
C:	5"x5"	5"x5"	5"x5"	5"x5"	5"x5"	5"x5"
D:	3"	3"	3"	3"	3"	3"
E:	7 $\frac{5}{8}$ "	9 $\frac{3}{8}$ "	12 $\frac{3}{8}$ "	11 $\frac{7}{8}$ "	14 $\frac{1}{2}$ "	17 $\frac{3}{8}$ "
F:	10 $\frac{1}{8}$ "	11 $\frac{1}{8}$ "	12 $\frac{7}{8}$ "	14 $\frac{3}{8}$ "	16 $\frac{1}{8}$ "	19 $\frac{5}{8}$ "

DRW BY: JJG

DATE: 11-7-19

REVISION: 7

APP. BY: JJG

REVISION:

7

COPYRIGHT 2019, BEVOLO GAS & ELECTRIC LIGHTS. DRAWINGS & DESIGNS ARE OWNED BY BEVOLO AND REMAIN THE SOLE AND EXCLUSIVE PROPERTY OF BEVOLO GAS & ELECTRIC LIGHTS. DRAWINGS AND DESIGNS SHALL NOT BE DUPLICATED IN WHOLE OR PART.