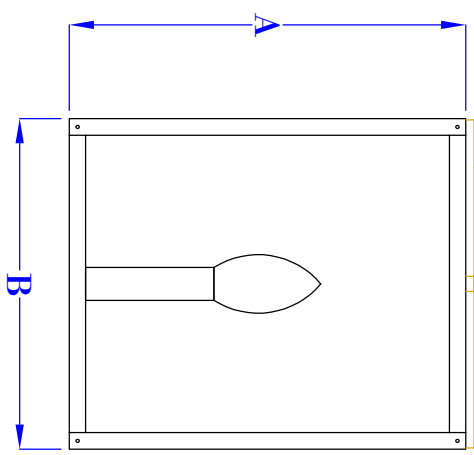
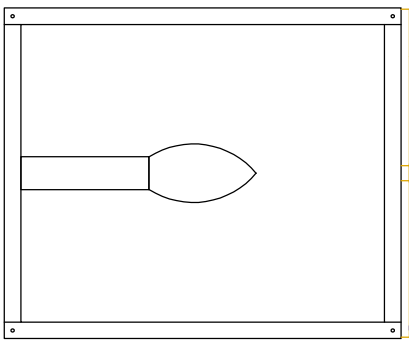


TOP VIEW
(NTS-BRACKET ONLY)



FRONT VIEW
(NTS)



SIDE VIEW
(NTS)

- NOTES:
1. MOUNTING HARDWARE SUPPLIED BY OTHERS
 2. FIXTURES ARE HANDCRAFTED. DIMENSIONS MAY VARY PLUS OR MINUS $\frac{1}{4}$ "
 3. ELECTRIC LIGHTS SUPPLIED WITH 18/2 WIRE WITH GROUND

BEVOLO GAS & ELECTRIC LIGHTS

LIGHT: SQUARE HANGING LIGHT

BRACKET: HANGING CHAIN (NO SCROLLS)

DRW BY: JJG

DATE: APP. BY:

6-18-20 REVISION: 5

SIZE:	8"x10"	10"x12"	12"x14"
A:	10"	12"	14"
B:	8"	10"	12"
C:	NA	NA	NA
D:	36"	36"	36"

COPYRIGHT 2020, BEVOLO GAS & ELECTRIC LIGHTS. DRAWINGS & DESIGNS ARE OWNED BY BEVOLO AND REMAIN THE SOLE AND EXCLUSIVE PROPERTY OF BEVOLO GAS & ELECTRIC LIGHTS. DRAWINGS AND DESIGNS SHALL NOT BE DUPLICATED IN WHOLE OR PART.