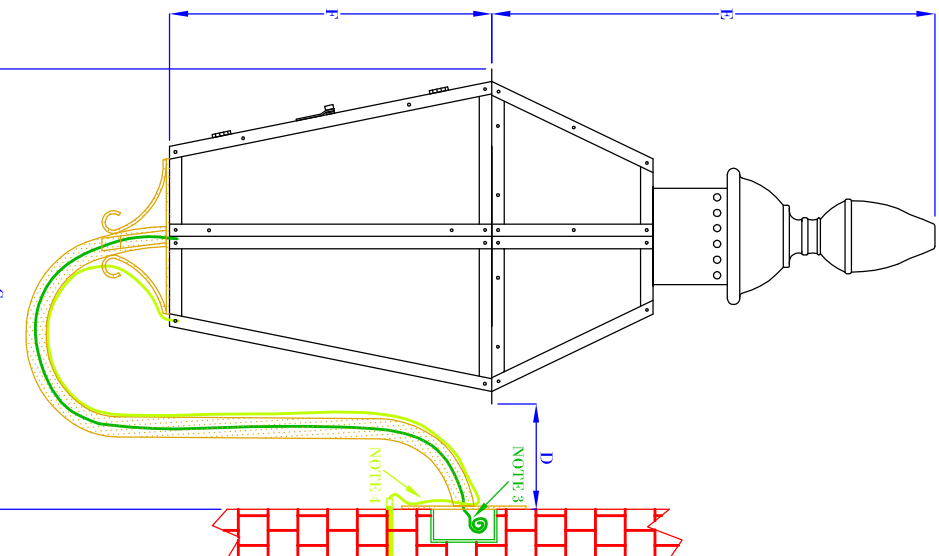
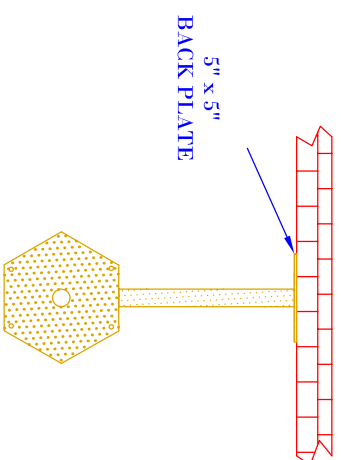


FRONT VIEW
(NTS)



SIDE VIEW
(NTS)



TOP VIEW
(NTS-BRACKET ONLY)

- NOTES:
1. MOUNTING HARDWARE SUPPLIED BY OTHERS
 2. FIXTURES ARE HANDCRAFTED. DIMENSIONS MAY VARY PLUS OR MINUS $\frac{1}{4}$ "
 3. ELECTRIC LIGHTS SUPPLIED WITH 18/2 WIRE WITH GROUND
 4. GAS LIGHTS SUPPLIED WITH $\frac{3}{16}$ " COPPER GAS LINE AND $\frac{3}{16}$ " x $\frac{1}{4}$ " GAS LINE ADAPTOR

SIZE:	25"	30"	33"	35"
	19" SS	22" SS	25" SS	27" SS
A:	31 $\frac{1}{8}$ "	34 $\frac{7}{8}$ "	36 $\frac{3}{8}$ "	38"
B:	13 $\frac{5}{8}$ "	14 $\frac{5}{8}$ "	15 $\frac{3}{4}$ "	17 $\frac{7}{8}$ "
C:	17 $\frac{3}{4}$ "	17 $\frac{1}{2}$ "	18 $\frac{1}{4}$ "	19 $\frac{1}{2}$ "
D:	5 $\frac{3}{4}$ "	4 $\frac{3}{4}$ "	4 $\frac{1}{2}$ "	4 $\frac{1}{4}$ "
E:	13 $\frac{7}{8}$ "	17"	17 $\frac{7}{8}$ "	18 $\frac{3}{8}$ "
F:	11 $\frac{3}{4}$ "	12 $\frac{3}{8}$ "	13"	14 $\frac{1}{8}$ "

BEVULO GAS & ELECTRIC LIGHTS

LIGHT:

SIX SIDED w/ LONDON TOP

BRACKET:

GOOSENECK

DATE:	APP. BY:	DRW BY:
1-19-11	MAJ	JJG
REVISION:		
3		

COPYRIGHT 2009. BEVULO GAS & ELECTRIC LIGHTS. DRAWINGS & DESIGNS ARE OWNED BY BEVULO AND REMAIN THE SOLE AND EXCLUSIVE PROPERTY OF BEVULO GAS & ELECTRIC LIGHTS. DRAWINGS AND DESIGNS SHALL NOT BE DUPLICATED IN WHOLE OR PART.