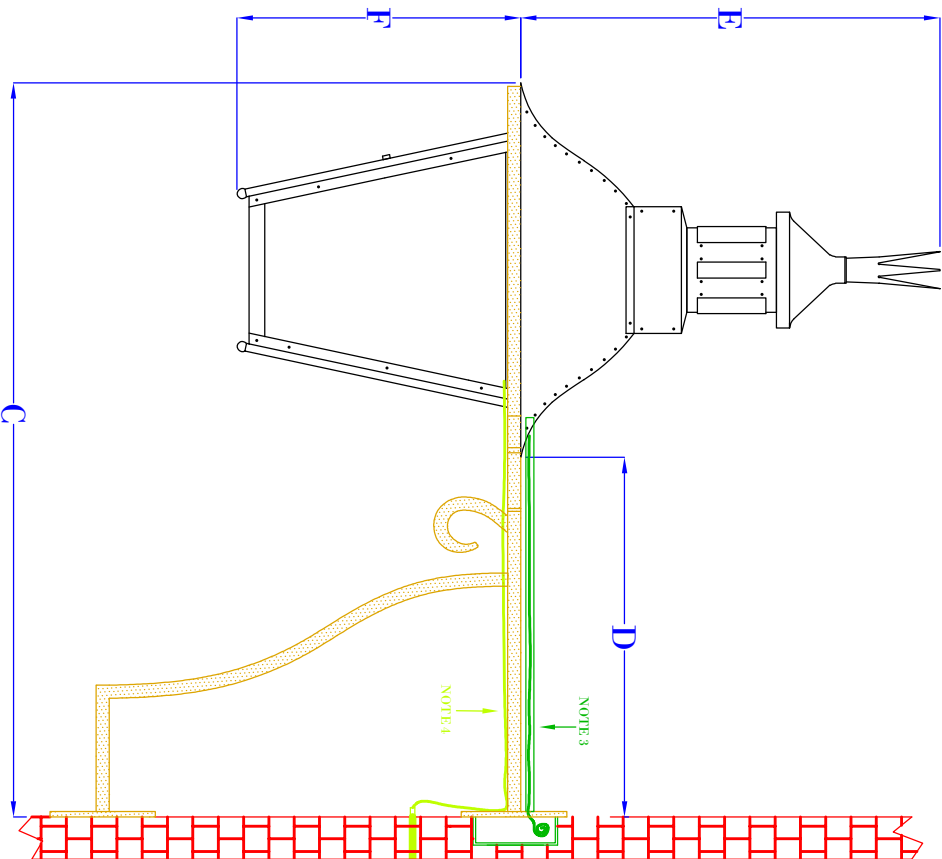


FRONT VIEW

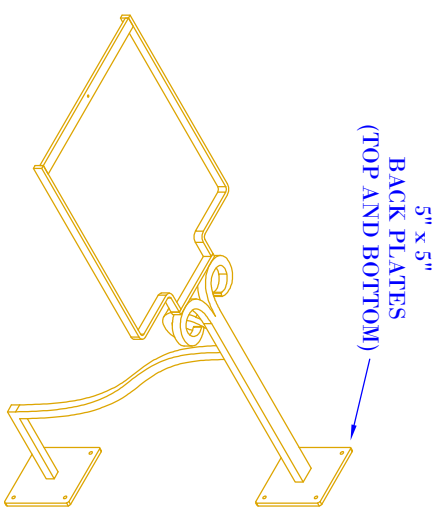
NOTES:

1. MOUNTING HARDWARE SUPPLIED BY OTHERS
2. FIXTURES ARE HANDCRAFTED. DIMENSIONS MAY VARY PLUS OR MINUS $\frac{1}{4}$ "
3. ELECTRIC LIGHTS SUPPLIED WITH 18/2 WIRE WITH GROUND
4. GAS LIGHTS SUPPLIED WITH $\frac{3}{16}$ " COPPER GAS LINE AND $\frac{3}{4}$ " x $\frac{1}{4}$ " GAS LINE ADAPTOR



SIDE VIEW

(NTS)



ISOMETRIC VIEW
(NTS-BRACKET ONLY)

SIZE:	25"	33"
A:	34 $\frac{1}{8}$ "	40 $\frac{7}{8}$ "
B:	13 $\frac{1}{4}$ "	17 $\frac{3}{4}$ "
C:	26 $\frac{1}{4}$ "	31 $\frac{7}{8}$ "
D:	13"	17 $\frac{1}{8}$ "
E:	15 $\frac{3}{4}$ "	19 $\frac{7}{8}$ "
F:	10"	13 $\frac{3}{8}$ "

BEVOLO GAS & ELECTRIC LIGHTS

LIGHT:

NAPOLEON HOUSE

DATE:

APP. BY:

JJG

DRW BY:

JJG

BRACKET:

BRENNANS BRACKET

5-18-20

REVISION:

3

COPYRIGHT 2009, BEVOLO GAS & ELECTRIC LIGHTS. DRAWINGS & DESIGNS ARE OWNED BY BEVOLO AND REMAIN THE SOLE AND EXCLUSIVE PROPERTY OF BEVOLO GAS & ELECTRIC LIGHTS. DRAWINGS AND DESIGNS SHALL NOT BE DUPLICATED IN WHOLE OR PART.