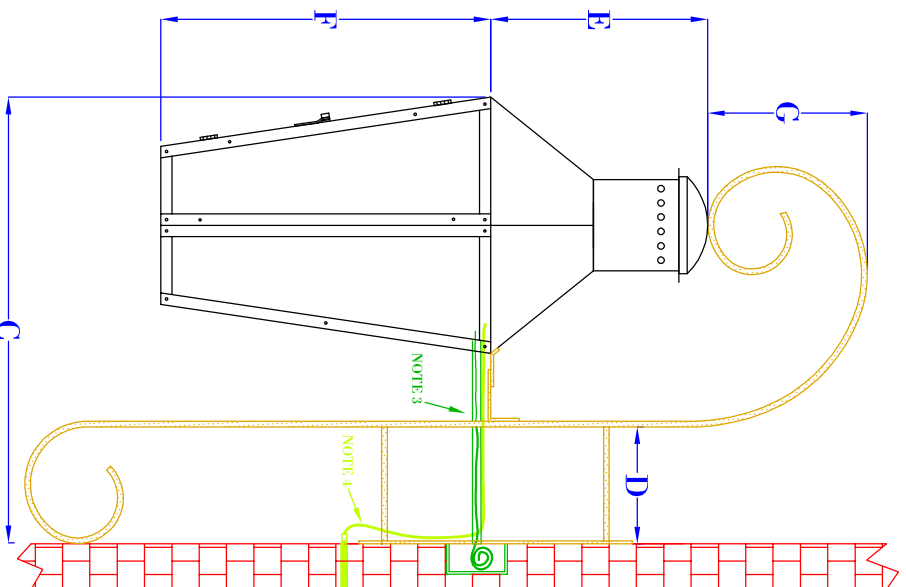
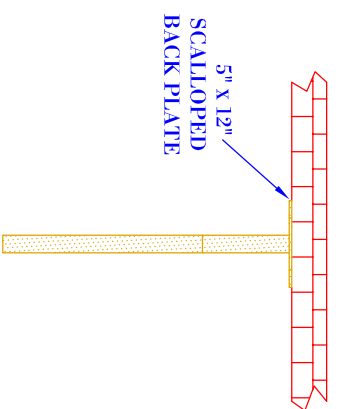


FRONT VIEW
(NTS)



SIDE VIEW
(NTS)



TOP VIEW
(NTS-BRACKET ONLY)

- NOTES:**
1. MOUNTING HARDWARE SUPPLIED BY OTHERS
 2. FIXTURES ARE HANDCRAFTED. DIMENSIONS MAY VARY PLUS OR MINUS $\frac{1}{4}$ "
 3. ELECTRIC LIGHTS SUPPLIED WITH 18/2 WIRE WITH GROUND
 4. GAS LIGHTS SUPPLIED WITH $\frac{3}{16}$ " COPPER GAS LINE AND $\frac{3}{16}$ " X $\frac{1}{4}$ " GAS LINE ADAPTOR

BEVOLO GAS & ELECTRIC LIGHTS

LIGHT:

MONTECITO

BRACKET:

RODIN

DATE:

2-17-16

DRW BY:

JJG

APP. BY:

REVISION:

1

SIZE:	21"	24"	27"
A:	37"	37"	45"
B:	11 $\frac{3}{8}$ "	13"	14 $\frac{5}{8}$ "
C:	18 $\frac{7}{8}$ "	19 $\frac{5}{8}$ "	21 $\frac{7}{8}$ "
D:	5"	5"	5"
E:	8 $\frac{1}{4}$ "	9 $\frac{1}{2}$ "	10 $\frac{7}{8}$ "
F:	12 $\frac{3}{4}$ "	14 $\frac{1}{2}$ "	16 $\frac{3}{8}$ "
G:	7"	7"	8"

COPYRIGHT 2016, BEVOLO GAS & ELECTRIC LIGHTS. DRAWINGS & DESIGNS ARE OWNED BY BEVOLO AND REMAIN THE SOLE AND EXCLUSIVE PROPERTY OF BEVOLO GAS & ELECTRIC LIGHTS. DRAWINGS AND DESIGNS SHALL NOT BE DUPLICATED IN WHOLE OR PART.