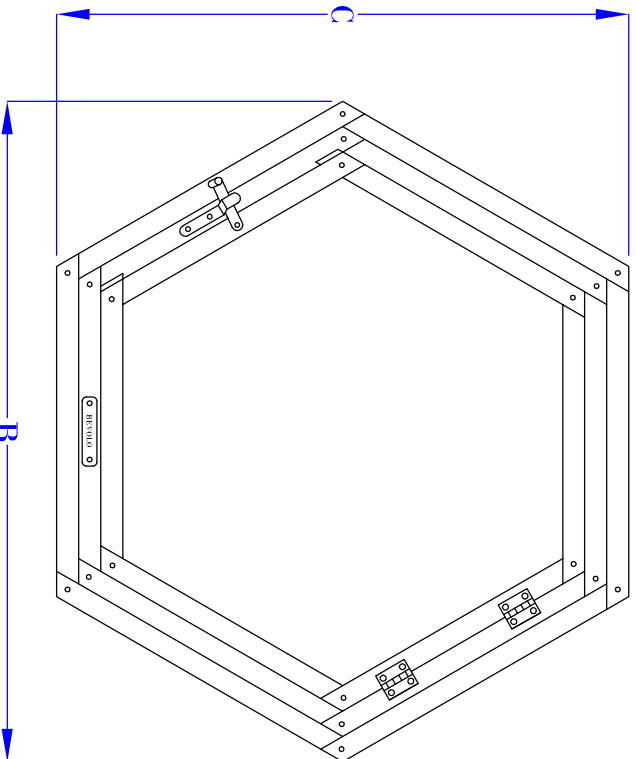


**SIDE VIEW**  
(NTS)



**BOTTOM VIEW**  
(NTS)

**NOTES:**

1. MOUNTING HARDWARE SUPPLIED BY OTHERS
2. FIXTURES ARE HANDCRAFTED. DIMENSIONS MAY VARY PLUS OR MINUS  $\frac{1}{4}$ "
3. ELECTRIC LIGHTS SUPPLIED WITH 18/2 WIRE WITH GROUND

**BEVOLO GAS & ELECTRIC LIGHTS**

<b>LIGHT:</b>	<b>SIX SIDED CEILING LIGHT</b>
<b>BRACKET:</b>	<b>FLUSH MOUNT</b>

<b>DATE:</b>	<b>DRW BY:</b>	<b>JJG</b>
10-21-2011	<b>APP. BY:</b>	<b>MAJ</b>
<b>REVISION:</b>	<b>1</b>	

COPYRIGHT 2011, BEVOLO GAS & ELECTRIC LIGHTS. THIS DRAWING AND ANY DESIGN OR DATA CONTAINED THEREIN ARE CONSIDERED PROPERTY OF BEVOLO GAS AND ELECTRIC LIGHTS. NEITHER THE DRAWING NOR ITS CONTENT MAY BE COPIED, REPRODUCED, OR EDITED TO A LIKENESS WITHOUT THE WRITTEN CONSENT OF BEVOLO GAS AND ELECTRIC LIGHTS.

<b>SIZE:</b>	
<b>A:</b>	4"
<b>B:</b>	15"
<b>C:</b>	13"