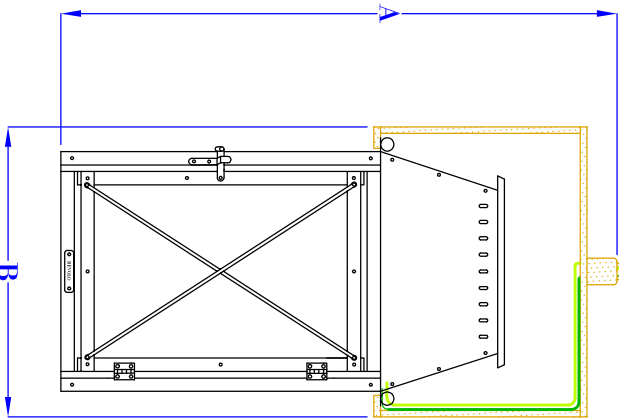
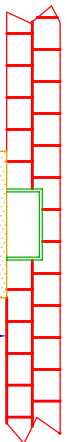
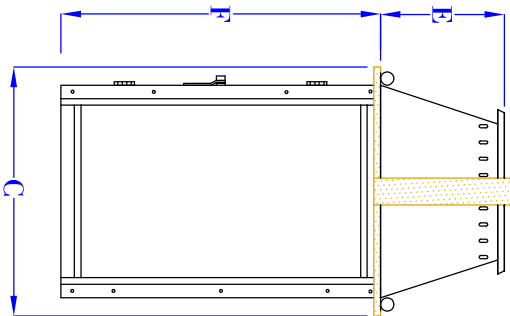


NOTE 4

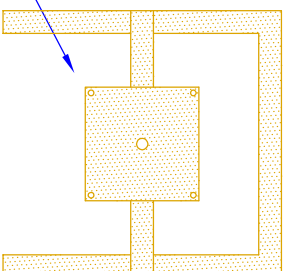


FRONT VIEW
(NTS)



SIDE VIEW
(NTS)

5" X 5" X 1"
BOX PLATE



TOP VIEW
(NTS- BRACKET ONLY)

- NOTES:
1. MOUNTING HARDWARE SUPPLIED BY OTHERS
 2. FIXTURES ARE HANDCRAFTED. DIMENSIONS MAY VARY PLUS OR MINUS $\frac{1}{4}$ "
 3. ELECTRIC LIGHTS SUPPLIED WITH 18/2 WIRE WITH GROUND
 4. GAS LIGHTS SUPPLIED WITH $\frac{3}{16}$ " COPPER GAS LINE AND $\frac{3}{16}$ " X $\frac{1}{4}$ " GAS LINE ADAPTOR

BEVOLO GAS & ELECTRIC LIGHTS

LIGHT: 14", 16", 22" COACH HOUSE

BRACKET: SQUARE YOKE

SIZE:	14"	16"	22"
A:	20 $\frac{7}{8}$ "	22 $\frac{7}{8}$ "	28 $\frac{7}{8}$ "
B:	10 $\frac{7}{8}$ "	10 $\frac{7}{8}$ "	10 $\frac{7}{8}$ "
C:	9 $\frac{3}{8}$ "	9 $\frac{3}{8}$ "	9 $\frac{3}{8}$ "
D:	VARIES	VARIES	VARIES
E:	4 $\frac{5}{8}$ "	4 $\frac{5}{8}$ "	4 $\frac{5}{8}$ "
F:	10 $\frac{1}{8}$ "	12 $\frac{1}{8}$ "	18 $\frac{1}{8}$ "

DATE:	5-29-15	DRW BY:	JJG
APP. BY:	MAJ	REVISION:	1

COPYRIGHT 2015, BEVOLO GAS & ELECTRIC LIGHTS. DRAWINGS & DESIGNS ARE OWNED BY BEVOLO AND REMAIN THE SOLE AND EXCLUSIVE PROPERTY OF BEVOLO GAS & ELECTRIC LIGHTS. DRAWINGS AND DESIGNS SHALL NOT BE DUPLICATED IN WHOLE OR PART.